



NEW

www.cemb.com



CEMB ER

Er Go Fast Line 60



Maximum results within minimum space

Innovative design



2D

2D Automatic measurements up to 28"

DIGIT

New digital panel

LASER

LASER for weight positioning inside the rim

AWA

Automatic Width Approximation

WBA

Wheel Best Access

VDD

Virtual Direct Drive (CEMB PATENT)

EBS

Electric Brake System



NEW

CEMB ER

Er Go Fast Line 60

From CEMB experience...

- **ER60** balancer is the result of CEMB consolidated experience in the manufacturing of high technology garage and industrial balancers since 1946. Development and cooperation with the most important car and tyre manufacturers guarantee to the professionals in the garage equipment field:

- *Reliability*
- *Easy and quick use*
- *Accuracy*
- *Extremely fast cycle time!*

Innovative design

- With ER60, CEMB widens its range of products ERgofast, maintaining the concepts of ergonomics and practicality together with the Italian design
- **WBA Wheel Best Access**
Wide space to work inside the rim
- Multifunctional digital panel
- Ergonomic tool positioning close at hand

Core of technology

- **VDD** very quick and maintenance free measurement system (**CEMB PATENT**)
- Lock of wheel in the correction position by means of an **electromagnetic brake**
- Software programs for the professionals: **SPLIT, OPT, ALU**
- **NEW! Extended gauge** for diameter and distance measurement of rims up to 28
- New pincer to hold the adhesive weight
- **LASER** for weight positioning inside the rim

ER60, balancer for professionals

- ER60 qualifies and improves the working method in specialized workshops
- All the parts are designed to make easy and quick any balancing operation
- ER60: compact, but just in size. Easy to use with great results in both design and style. The perfect machine for those who search quality, professionalism and technology

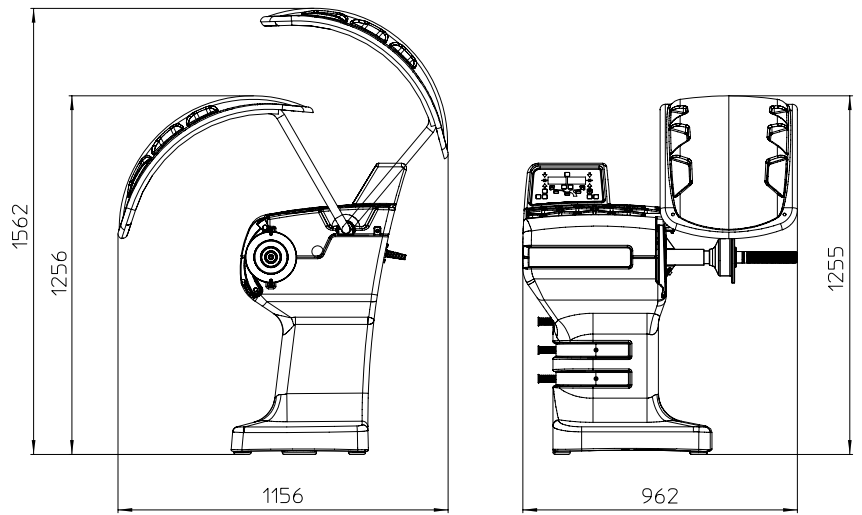


• LASER



• New pincer to hold the adhesive weight





Single phase power supply	115 / 230 V 50/60 Hz
Max. absorbed power	0,15 Kw
Balancing speed	100 rpm
Measuring cycle for 15 kg (33lb) wheel	4.7 s
Measurement uncertainty	0,5 gr
Average noise	< 70 dB (A)
Rim width setting range	1.5" ÷ 20" / 40 ÷ 510 mm
Rim diameter setting range	10" ÷ 30" / 265 ÷ 765 mm
Min/Max compressed air pressure	8 ÷ 10 Kg/cm ²
	~ 0.8 ÷ 1 Mpa
	~ 8 ÷ 10 Bar
	~ 115 ÷ 145 Psi
Max. wheel weight	< 75 kg
Machine weight	105 kg

STANDARD ACCESSORIES

In 1952 Cemb created the cone adapters for balancing machines and since then the company continued developing and producing high precision centering systems for any type of wheel. **Cemb does not recommend the use of non-original adapters on its balancing machines.**

UC20/2 GL40 41FF83149



Standard equipment composed of: 3 cones Ø 45 ÷ 110 mm, quick locknut GL40, width gauge, pincer-hammer and 60 g counterweight



OPTIONAL ACCESSORIES Especially designed for car manufacturers.



RL cup 41FF79255

Large plastic cup with polyurethane protection ring for light alloy rims.

UH20/2 41FF42048

Universal adapter for all wheels with 3,4,5,6 holes (pitch circle Ø 95-210 mm) complete with high precision back centering double cone (Cemb patent) for wheels with/without central hole (Renault, Peugeot and Citroën). Grants double accuracy compared to similar adapters on the market.

Peugeot - Citroën kit 41FF73171

High precision kit composed of: 1 bush Ø 60mm + 2 cones (Ø 62 ÷ 68 mm and Ø 54 ÷ 60 mm). Developed according to Peugeot and Citroën specifications.

VL/2 cone + G36 disc 41FF86174

Kit for light truck wheels (Ø 97 ÷ 170 mm central hole).

SR4 - SR5 - SR5/2 - SRUSA

Stud adapters for rim protection and high precision centering for wheels with 4 or 5 holes. Studs are made of two pieces, elastically coupled: pressure is therefore homogeneous on all the holes.

Renault kit 41FF77152

High precision kit composed of: 5 bushes (Ø 60 / 66 / 71 / 88 / 129,9 mm). Developed according to Renault specifications.

MT cone 40FF57321

High precision graduated cone for German cars (with central hole Ø 56,5 / 57 / 66,5 / 72,5 mm).

Mercedes kit 41FF88003

High precision kit composed of: 3 cones (Ø 57- Ø 66,5 - Ø 84/85 mm) + 1 pressure spring, according to Mercedes Benz specifications.

For more information see the complete brochure on the web site www.cemb.com

Er Go Fast Line



Visit the whole range on the web site www.cemb.com

ER 100



ER 80



ER 85



ER 60

Cemb technology



ITALIAN HEART: All parts which influence the quality of our balancers are manufactured within Cemb through appropriate machinery. The tolerances used are the most accurate on the market. Only in this way it is possible to maintain a constant and accurate balancing through time.

VDD - New: Defined as a "Maintenance Free" concept, it allows maximum accuracy in minimum time, increasing reliability and features of all Cemb balancers. This has been possible thanks to a new patented system of measurement (both mechanical and electronic) as a result of Cemb's unique experience in the field of industrial balancing and vibration analysis instrumentation. With the VDD even the most economic Cemb balancer wins against any of its competitors in both speed and accuracy.

CEMB FOR THE ENVIRONMENT

Our machines save much more energy than you would think! We care for the environment, as much as we care for your costs: these are our priorities. Save money! Save the environment! Buy our machines. Ask for more details, we are at your full disposal.



Some of our customers:

FERRARI • MASERATI • LAMBORGHINI •
MERCEDES-BENZ • BMW • VOLKSWAGEN • FIAT •
LANCIA • ALFA ROMEO • FORD NISSAN • RENAULT •
HARLEY DAVIDSON • HONDA • YAMAHA • SUZUKI •
KAWASAKI • KTM • DUCATI • TRIUMPH • APRILIA •
PIAGGIO • MOTO GUZZI • PIRELLI • BRIDGESTONE •
MICHELIN • CONTINENTAL • DUNLOP •
GOODYEAR • BREMBO • METZELER



CEMB

BALANCING MACHINES



CEMB S.p.A.

Via Risorgimento, 9
23826 Mandello del Lario (LC) Italy
www.cemb.com



Garage equipment division CEMB - ITALY

Plant and Training Center
phone +39 0341 706369
fax +39 0341 700725
garage@cemb.com

CEMB USA

BL Systems Inc.

2873 Ramsey Road
Gainesville, GA 30501 - USA
Phone +001 678 717 1050
Fax +001 678 717 1056
sales@cemb-usa.com

All the data and features mentioned in this catalogue are purely for information and do not constitute any commitment on the part of our company, which reserves the right to make any and all alterations it may consider suitable without notice.